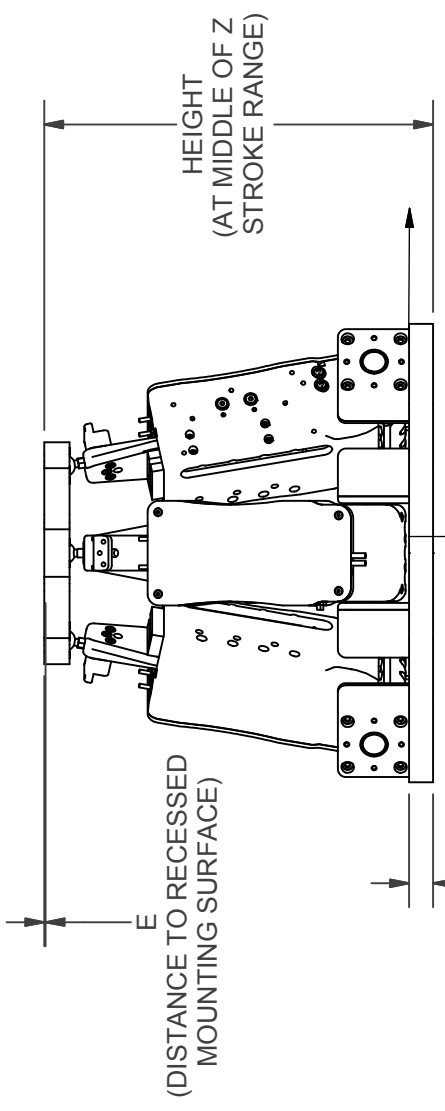
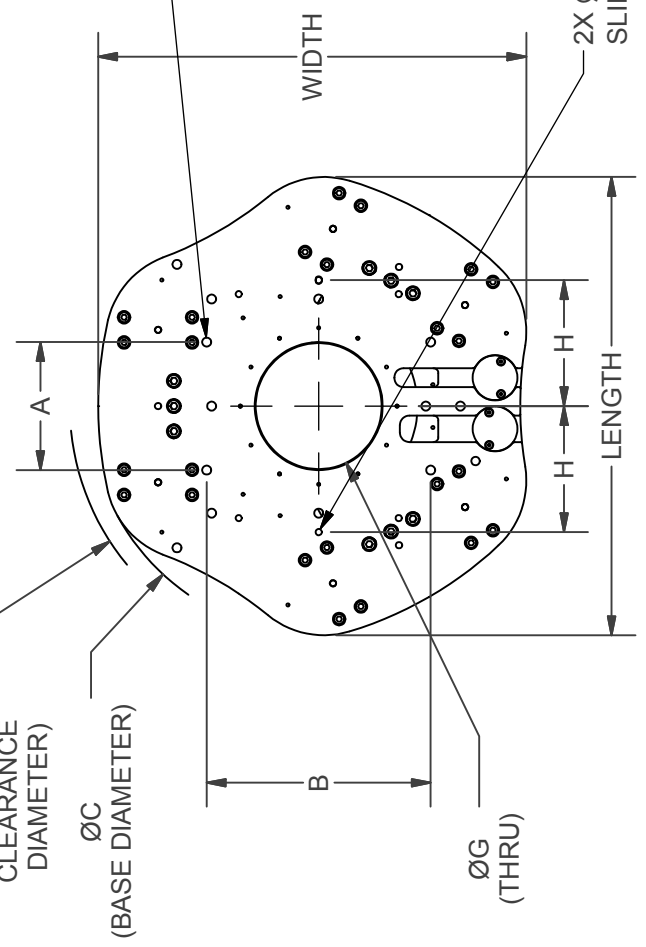


6X "O" (TAP)
 (EQUALLY SPACED ON
 BOLT CIRCLE DIAMETER "K")
 3X $\varnothing 5.0$ mm (H9) ∇ 5.0 mm
 SLIP FIT FOR M5 DOWEL PIN
 (EQUALLY SPACED ON
 BOLT CIRCLE DIAMETER "K")



CABLE EXIT OPTIONS
 (DOWN THRU CENTER OR
 OUT THROUGH SIDE)

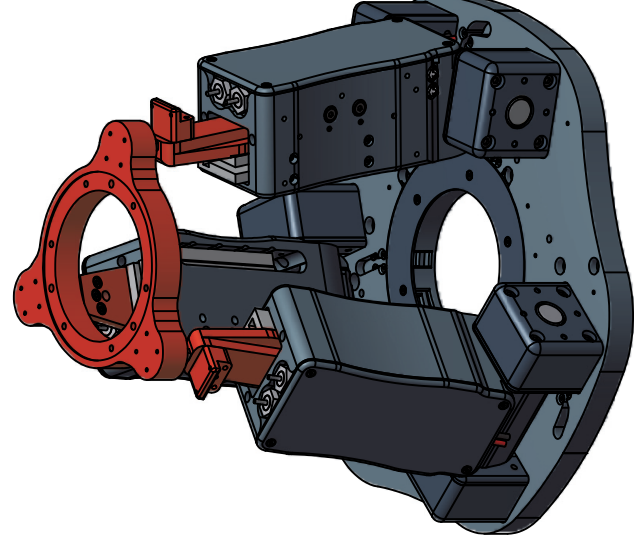


STAGE MOUNT
 4X FOR "N" THRU
 (ACCESS FROM
 TOP SIDE OF BASE)

2X $\varnothing 5.03$ mm
 SLIP FIT FOR M5 DOWEL PIN

NOTE: MODEL AI-TRI-LM-5500 SHOWN.

STANDARD FEATURES	
Stage	Linear Motor Tripod
Travel	3 Degrees of Freedom (Z, Pitch, and Roll Axis Motion)
Z Travel	6 - 106 mm
Angular Travel	+/- 3 to +/- 20 degrees
Max Payload	2.0 - 10.0+ kg
Motor	Ironless Core Linear Motor
Feedback	Non-Contact Optical Encoder
Scale	Gold Tape Scale
	Optional: Near Zero CTE ZeroMet
Linear Resolution	~5 nm
Angular Resolution	< 0.04 arc-sec
Sensors	Integrated Home and End of Travel Limits
Bearings	High Precision Crossed Roller Bearings
Counterbalance	Frictionless Pneumatic Cylinder
	Optional: Non-Contact Magnetic Spring
Cables	High Flex, 10M Cycle, 3m Length
Structure	Anodized Aluminum 6061-T6
	Optional: Stainless Steel
Environment	Standard
	Optional: Vacuum 10-5 Torr, Vacuum 10-7 Torr
Temperature	0°C to 50°C
Humidity	10% to 80% Non-Condensing
Precision	6-D Nano Precision™ Test Methods



Z TRAVEL	PITCH & ROLL TRAVEL	OPTION	LENGTH	WIDTH	HEIGHT	A (inch)	B (inch)	C	D	E	F	G	H	I	J	K	L (degrees)	M (degrees)	N	O
6	+/- 3 degrees	-	172.5	164.3	142.6	2	2	172.5	196	1	12	50	50	30	50	40	30	0	M6 or 1/4-20	M4
24	+/- 15 degrees	-	208	196.3	173	3	3	208	225	1	12	80	100	50	70	60	30	0	M6 or 1/4-20	M4
24	+/- 16 degrees	MS	251.8	220.8	169.9	3	3	252.5	256.5	1	12.7	50	62.5	50	70	60	30	0	M6 or 1/4-20	M4
40	+/- 16 degrees	-	331.6	303.3	246.9	3	3	333	333	1	19.1	30	62.5	75	100	87.5	30	60	M6 or 1/4-20	M5
55	+/- 20 degrees	-	363.8	339.9	308.6	4	7	363.9	363.9	1	19.1	100	100	100	125	112.5	30	60	M6 or 1/4-20	M5
92	+/- 20 degrees	-	435	380	482.5	4	7	435	445	--	30	101.6	100	--	--	200	30	60	M6 or 1/4-20	M6
106	+/- 20 degrees	-	399.1	348.8	459.1	4	7	402	402	1	19.1	30	100	100	125	112.5	30	60	M6 or 1/4-20	M5

* All units millimeters unless otherwise noted.
 * All hole patterns centered on M5 dowel pin hole pattern on base and top stage.
 * See specification sheet and contact ALIO technical sales for assistance in model selection.

ALIO INDUSTRIES PROPRIETARY INFORMATION
 (Tel) 303.339.7500 - SALES@ALIOINDUSTRIES.COM - WWW.ALIOINDUSTRIES.COM



DRAWN		5/12/2012	
NBROWN			
CHECKED			
Tolerances: Surface Roughness: x.x ± .05 in [1.3 mm] x.xx ± .01 in [0.25 mm] x.xxx ± .005 in [0.13 mm] Angles ± 0.5° MATERIAL			
TITLE		AI-TRI-LM-(Z TRAVEL)00 -(OPTION)	
SIZE	DWG NO	REV	
B	0010-08008	004	

FINISH	SEE NOTES	SCALE	1 OF 1
		ALIO STD TEMPLATE - REV 006	SHEET 1

NOTE: MODEL AI-TRI-LM-5500 SHOWN.