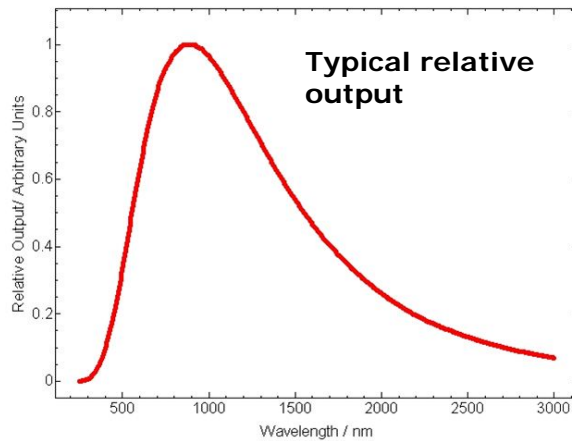




The IL1 is a general-purpose light source for use in the UV, visible and infra-red spectral regions from 350nm to 2.5mm.

A 100W quartz halogen lamp controlled by a current stabilised power supply is employed.

A single quartz condenser lens is used to fill the height and width of the slit and to match to the F/4 optics of the monochromator. The quartz halogen lamp is unsurpassed for stability by any other source and should always be used where it provides sufficient output in the wavelength region of interest.



The **605 constant current power supply**, which is recommended for use with the IL1.

### Main features

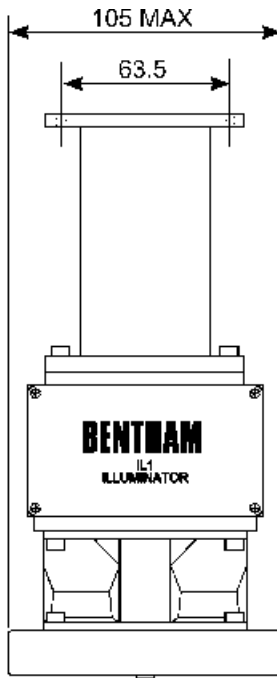
<b>Stability of light output</b>	Better than 0.1% over 8hr period (when used with 605 psu)
<b>Peak irradiance</b>	1.3mW cm <sup>-2</sup> nm <sup>-1</sup> at 880nm
<b>Lamp</b>	100W quartz halogen
<b>Horizontal adjustment</b>	By screw slide
<b>Vertical adjustment</b>	By slackening nuts in T-slots
<b>Lens</b>	Single quartz condenser lens, adjustable focus
<b>Power leads</b>	1m long with spade terminals provided
<b>Bracket for mounting 218 optical chopper included</b>	

# IL1

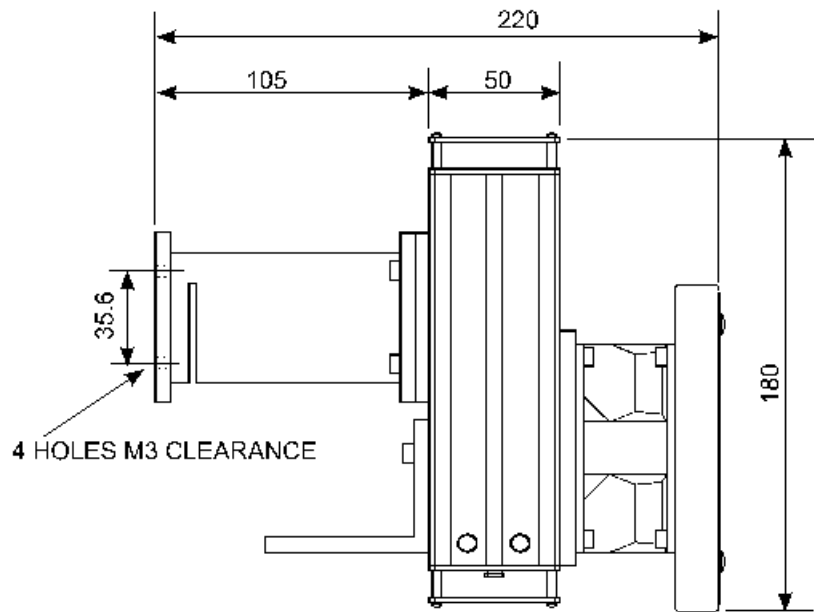
## QH Light Source

---

### Dimensions



Top view



Side view