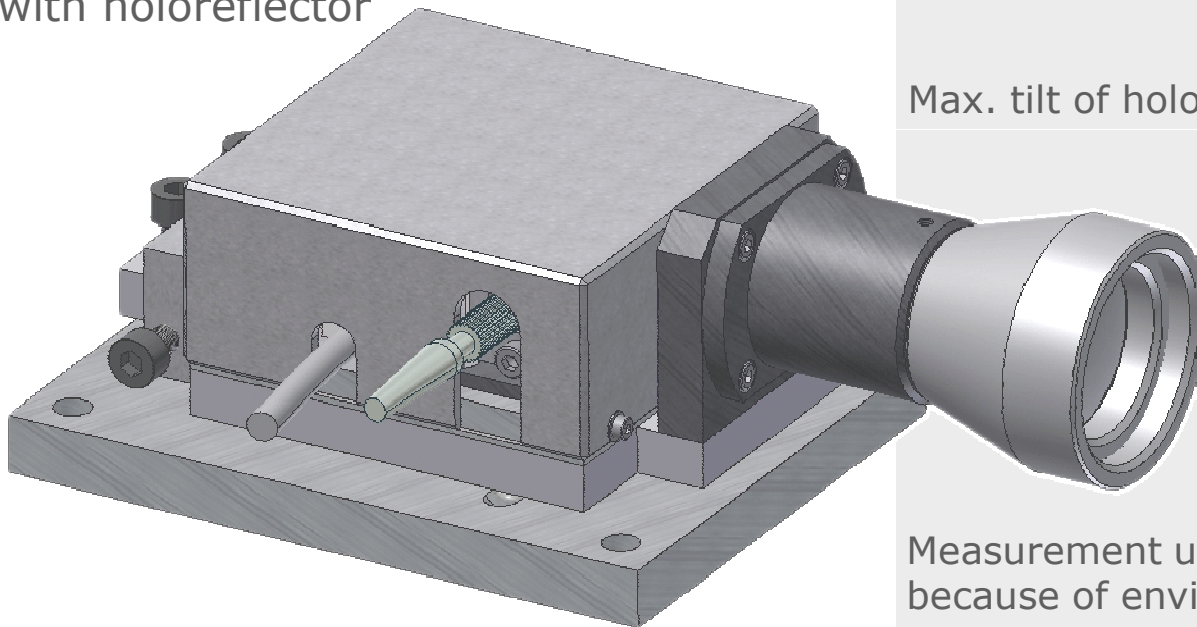


STANDARD PRODUCTS

NEW

LONGRANGE – INTERFEROMETER SP 2000 Series

Version with telescope in combination with holoreflector



Measurement range

| | | |
|--------------------|----|------------------|
| Beam magnification | 2x | ≤ 40 m |
| | 3x | ≤ 60 m |
| | 5x | ≤ 80 m...≤ 100 m |

Lateral displacement

| | | |
|--------------------|----|----------|
| Beam magnification | 2x | ± 0,5 mm |
| | 3x | ± 1,0 mm |
| | 5x | ± 1,5 mm |

Max. tilt of holoreflector

± 22,5°

Measurement uncertainly undefined because of environment values