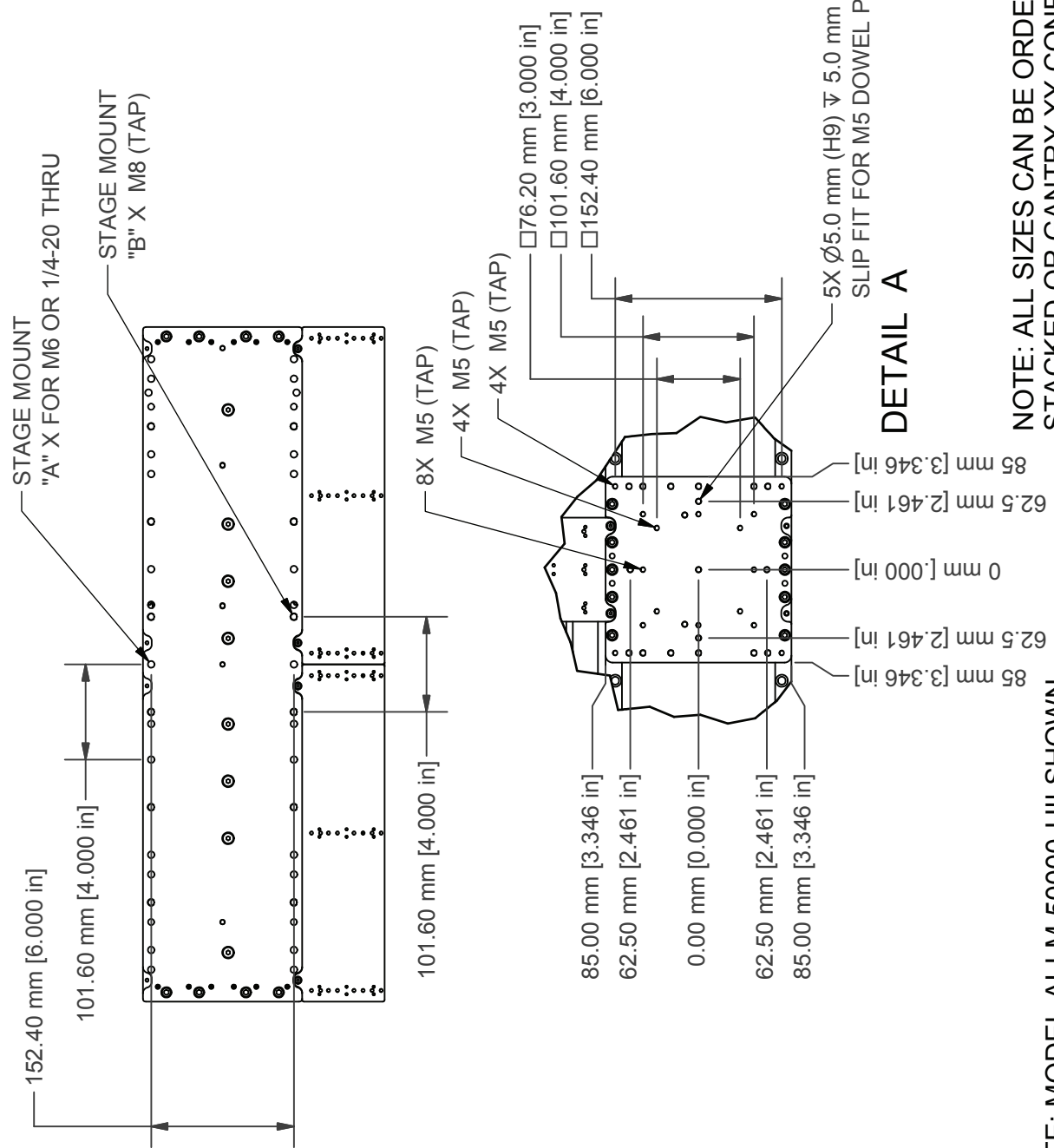
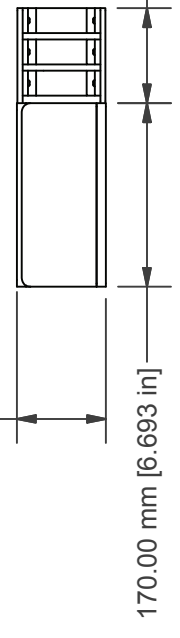
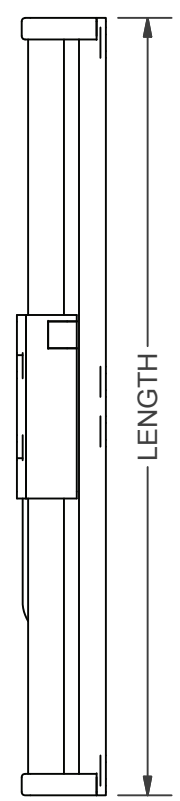
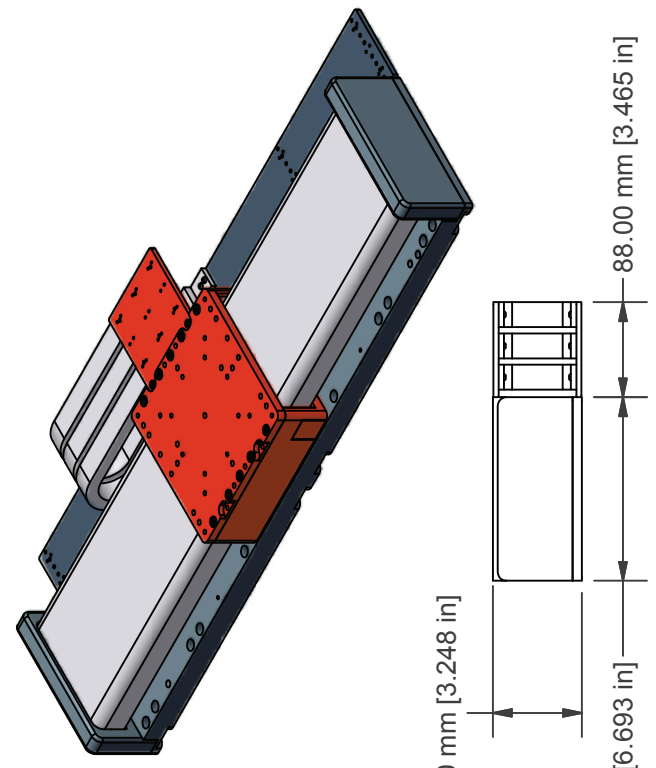
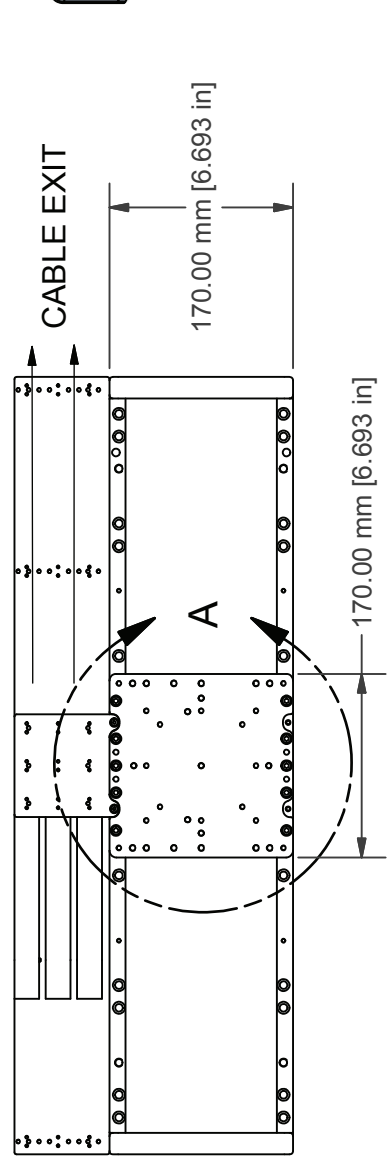


4 3 2 1



DETAIL A

5X Ø5.0 mm (H9) ∇ 5.0 mm
SLIP FIT FOR M5 DOWEL PIN

NOTE: MODEL AI-LM-50000-UII SHOWN.
NOTE: ALL SIZES CAN BE ORDERED AS
STACKED OR GANTRY XY CONFIGURATIONS.

STANDARD FEATURES	
Stage	Linear Stage
Travel	100mm to 1000mm
Motor	Ironless Core Linear Motor
Feedback	Non-Contact Optical Encoder
Scale	Gold Tape Scale
	Optional: Near Zero CTE ZeroMet
Resolution	1Vp-p Analog Output (5nm with 4096 Interpolation)
	Digital Output Options: 5mm, 1mm, 0.5mm, 0.2mm, 100nm, 50nm, 20nm**, 10nm**, and 5nm** (** Reduced Speeds Apply)
Sensors	Integrated Home and End of Travel Limits
Bearings	Dual Recirculating Ball Rail Bearings
Cables	High Flex, 10M Cycle, 3m Length
Structure	Anodized Aluminum 6061-T6
	Optional: Stainless Steel
Environment	Standard
	Optional: Clean Room and Vacuum (10-6 Torr)
Temperature	0°C to 50°C
Humidity	10% to 80% Non-Condensing
Precision	6-D Nano Precision™ Test Methods

TRAVEL	LENGTH	A (QTY)	B (QTY)
100	320	6	4
150	370	8	6
200	420	8	6
250	470	10	8
300	520	10	8
400	620	12	10
500	720	14	12
600	820	16	14
700	920	18	16
800	1020	20	18
1000	1220	24	20

* All units millimeters unless otherwise noted.
* All hole patterns centered on M5 dowel pin hole at center of stage.

11919 W I-70 FRONTAGE ROAD NORTH, UNIT 119, WHEAT RIDGE, CO 80033 USA
(Tel) 303.339.7500 - SALES@ALIOINDUSTRIES.COM - WWW.ALIOINDUSTRIES.COM



AI-LM-(TRAVEL)00-μII

DRAWN	1/21/2011	TITLE	
NBROWN			
CHECKED			
Tolerances: Surface Roughness: x.x ± .05 in [1.3 mm] x.xx ± .01 in [0.25 mm] x.xxx ± .005 in [0.13 mm] Angles ± 0.5°		SIZE	DWG NO
		B	0010-08050
FINISH	SEE NOTES	SCALE	REV
			002
		ALIO STD TEMPLATE - REV 006	SHEET 1 OF 1

4 3 2 1