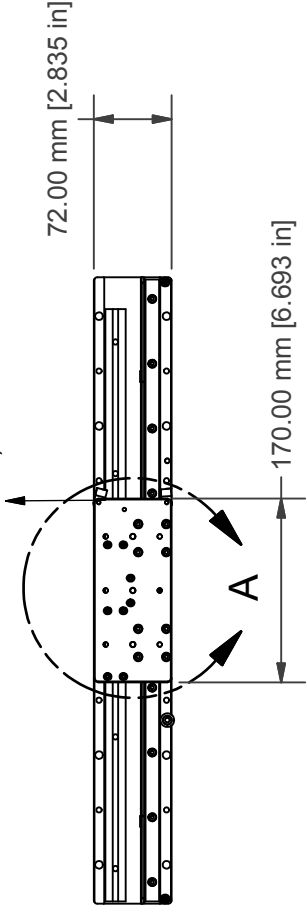
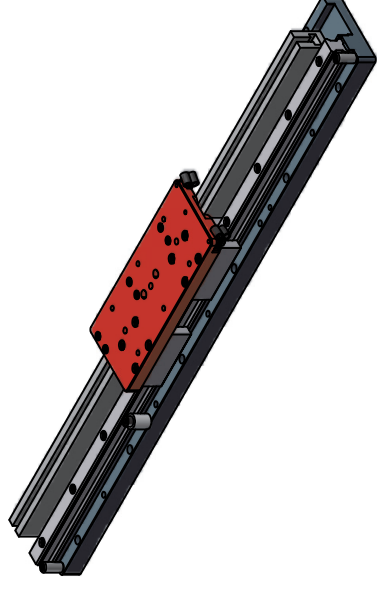
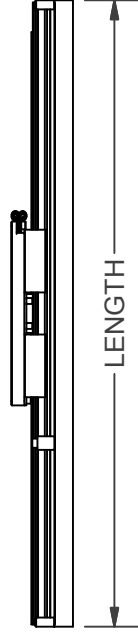


MOVING CABLE EXIT
(CONTACT ALIO FOR CABLE TRACK OPTIONS)



B



57.00 mm [2.244 in]



72.00 mm [2.835 in]

STANDARD FEATURES

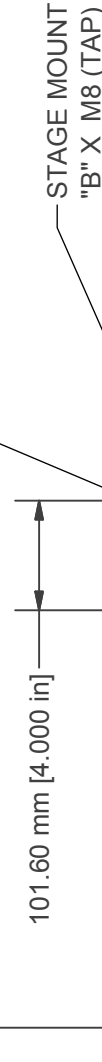
Stage	Linear Stage
Travel	100mm to 1000mm
Motor	Ironless Core Linear Motor
Feedback	Non-Contact Optical Encoder
Scale	Gold Tape Scale Optional: Near Zero CTE ZeroMet
Resolution	1Vp-p Analog Output (5nm with 4096 Interpolation) Digital Output Options: 5mm, 1mm, 0.5mm, 0.2mm, 100nm, 50nm, 20nm**, 10nm**, and 5nm** (* ** Reduced Speeds Apply)
Sensors	Integrated Home and End of Travel Limits
Bearings	Recirculating Ball Rail Bearings
Cables	High Flex, 10M Cycle, 3m Length
Structure	Anodized Aluminum 6061-T6 Optional: Stainless Steel
Environment	Standard Optional: Clean Room and Vacuum (10-6 Torr)
Temperature	0°C to 50°C
Humidity	10% to 80% Non-Condensing
Precision	6-D Nano Precision™ Test Methods

TRAVEL	LENGTH	A (QTY)	B (QTY)	C
100	280	6	4	100
150	330	8	6	125
200	380	8	6	150
250	430	10	8	175
300	480	10	8	200
400	580	12	10	250
500	680	14	12	300
600	780	16	14	350
700	880	18	16	400
800	980	20	18	450
900	1080	22	20	500
1000	1180	24	22	550

* All units millimeters unless otherwise noted.

* All hole patterns centered on M5 dowel pin hole at center of stage.

62.50 mm [2.461 in]



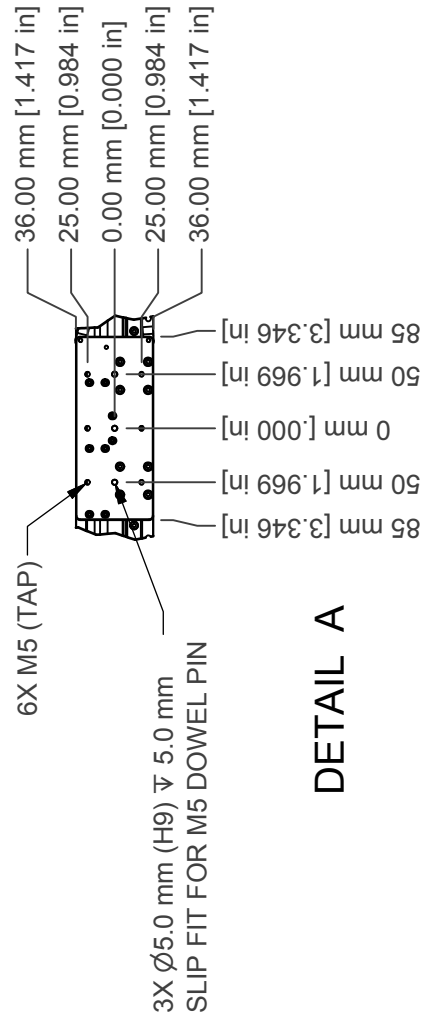
101.60 mm [4.000 in]

3X Ø5.0 mm (H9) ∇ 5.0 mm
SLIP FIT FOR M5 DOWEL PIN

STAGE MOUNT
"A" X M6 OR 1/2-20 THRU

STAGE MOUNT
"B" X M8 (TAP)

DETAIL A



NOTE: MODEL AI-LM-40000-UII-SN SHOWN.

NOTE: ALL SIZES CAN BE ORDERED AS
STACKED OR GANTRY XY CONFIGURATIONS.

A

DRAWN
NBROWN
CHECKED

1/21/2011

TITLE

AI-LM-(TRAVEL)00-μII-SN

SIZE

B

DWG NO

0010-08052

REV

002

SCALE

SEE NOTES

2

3

4

ALIO STD TEMPLATE - REV 006

SHEET

1

OF

1

11919 W I-70 FRONTAGE ROAD NORTH, UNIT 119, WHEAT RIDGE, CO 80033 USA
(Tel) 303.339.7500 - SALES@ALIOINDUSTRIES.COM - WWW.ALIOINDUSTRIES.COM

