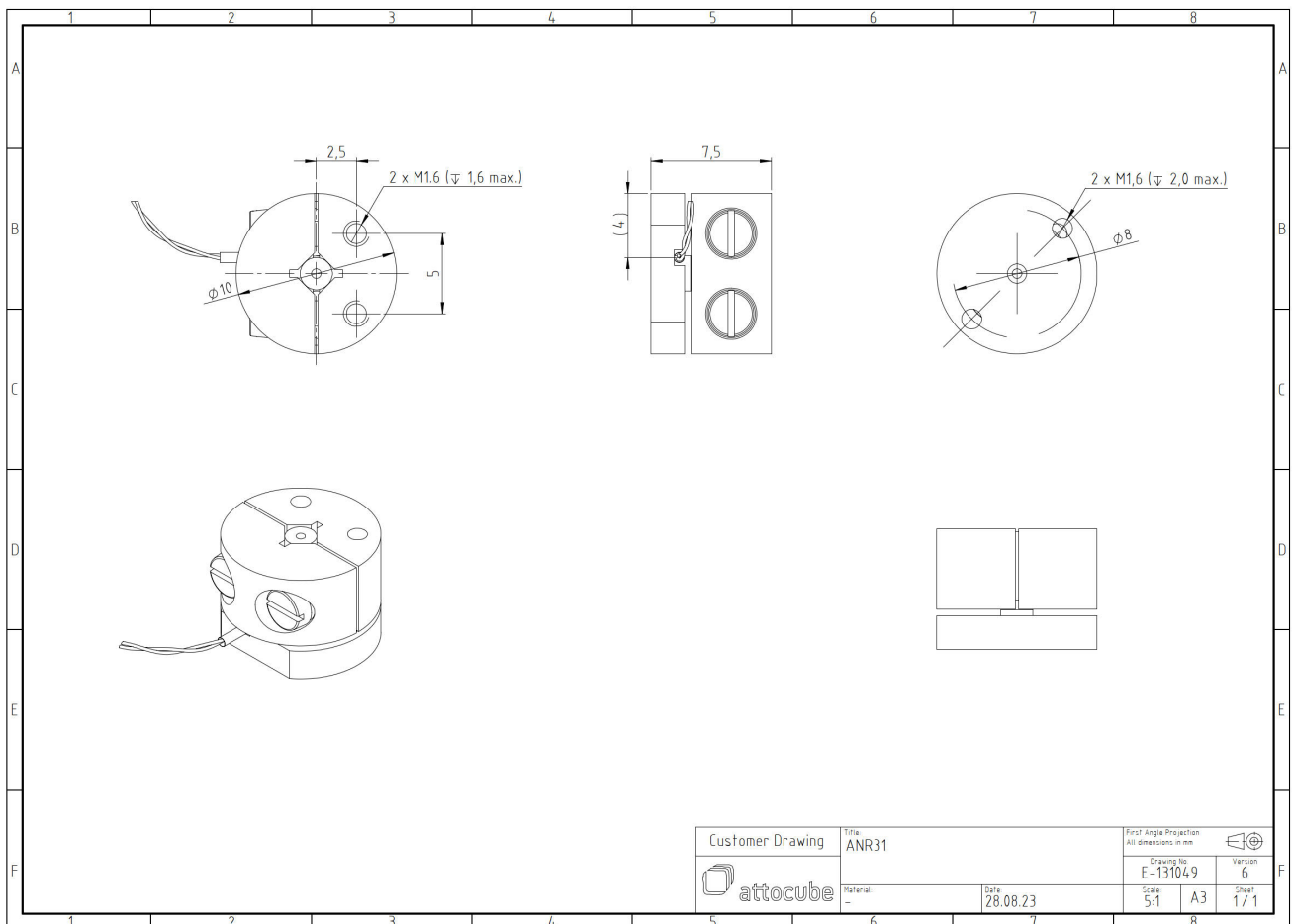


ANR31/LT/HV rotator made from Titanium and CuBe

1004585

Technical Specifications

Size and Dimensions	
footprint; height	10 mm diameter; 7.5 mm
weight	2.5 g
height	7.5 mm
cable	30 cm cable with connector
Materials	
positioner body	beryllium copper & titanium
actuator	PZT ceramics
connecting wires	insulated twisted pair, copper
Coarse Positioning Mode	
travel range (step mode)	360 ° endless
maximum drive velocity @ 300 K	~ 3 °/s
input voltage range	0 - 100 V
Fine Positioning Mode	
fine angular positioning range @ 300 K	60 m°
fine angular positioning range @ 4 K	13 m°
fine positioning resolution	μ°
input DC voltage range @ 300 K	0 - 60 V
input DC voltage range @ 4 K	0 - 150 V
Load (@ ambient conditions)	
maximum load	5 g
maximum dynamic torque around axis	0.03 Ncm
General Specifications	
environment	/LT/HV



Customer Drawing	Title: ANR31	First Angle Projection All dimensions in mm
	Material: -	Drawing No: E-131049
	Date: 28.08.23	Version: 6
		Scale: 5:1
		A3
		Cheet: 1/1