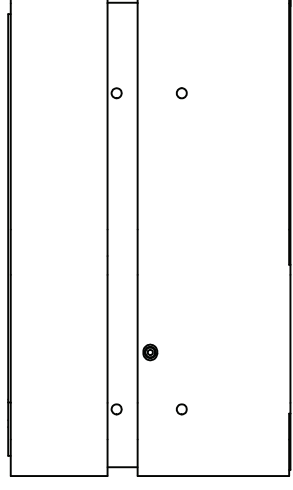
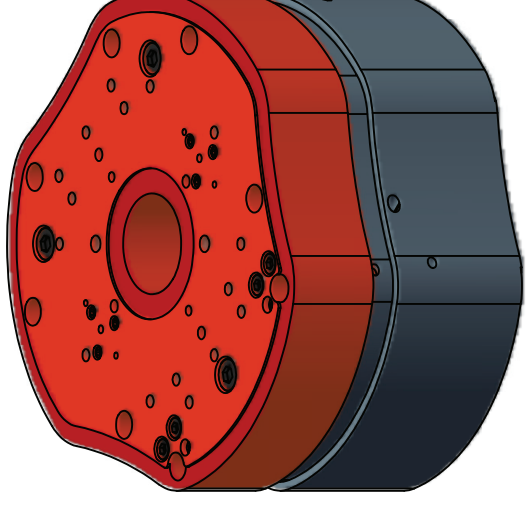


NOTE: MODEL AI-VC-2400-NANO-Z-AB SHOWN.



STANDARD FEATURES

Stage	Z Stage
Travel	24mm
Motor	Dual Voice Coil
Feedback	Dual Non-Contact Optical Encoder
Scale	Gold Tape Scale Optional: Near Zero CTE ZeroMet
Resolution	1Vp-p Analog Output (5nm with 4096 Interpolation) Digital Output Options: 5um, 1um, 0.5um, 0.2um, 100nm, 50nm, 20nm**, 10nm**, and 5nm** (* Reduced Speeds Apply)
Sensors	Integrated Home and End of Travel Limits
Bearings	High Precision Air Bearing Bushings
Counterbalance	Frictionless Pneumatic Cylinder
Cables	High Flex, 10M Cycle, 3m Length
Structure	Anodized Aluminum 6061-T6 Optional: Stainless Steel
Environment	Standard Optional: Clean Room and Vacuum (10-6 Torr)
Temperature	0°C to 50°C
Humidity	10% to 80% Non-Condensing
Precision	6-D Nano Precision™ Test Methods

NOTES:

* All hole patterns centered on M5 dowel pin hole pattern (if not otherwise indicated.)

* Air supply must comply with air bearing air supply requirements specifications - see catalog.

ALIO INDUSTRIES PROPRIETARY INFORMATION
(Tel) 303.339.7500 - SALES@ALIOINDUSTRIES.COM - WWW.ALIOINDUSTRIES.COM



DRAWN	5/12/2012
NBROWN	
CHECKED	
Tolerances: Surface Roughness: x.x ± .05 in [1.3 mm] x.xx ± .01 in [0.25 mm] x.xxx ± .005 in [0.13 mm] Angles ± 0.5°	
RMS MAX. ✓	
MATERIAL	
FINISH	SEE NOTES

TITLE

AI-VC-2400-NANO-Z-AB

SIZE

B

DWG NO

REV

002

SCALE

1 OF 1

SHEET

1

ALIO STD TEMPLATE - REV 006

1

OF

1

1

1

1

1

1

1

1

1

1

1

1

1

1

1

1

1

1

1

1

1

1

1

1

1

1

1

1

1

1

1

1