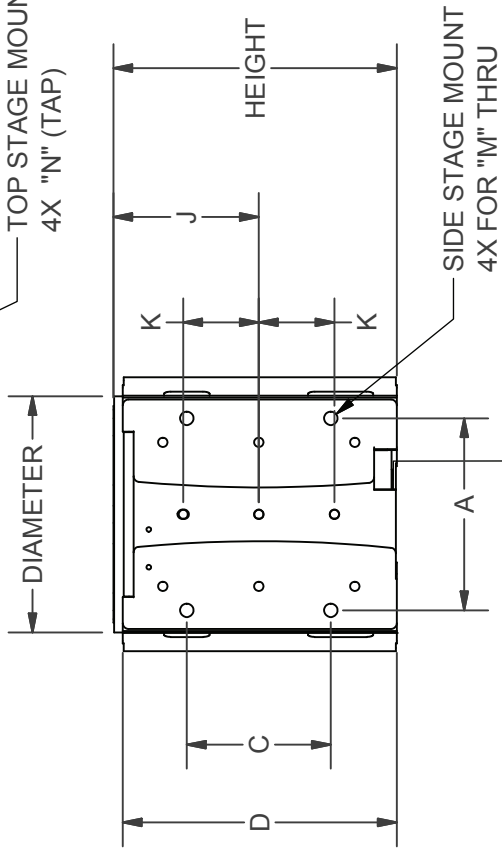
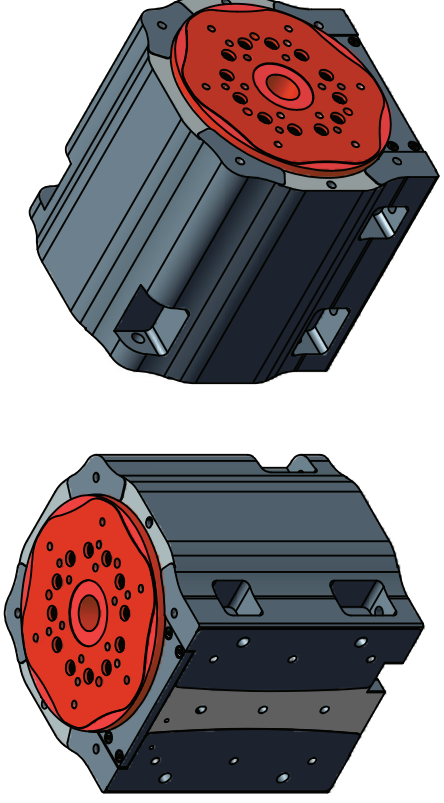
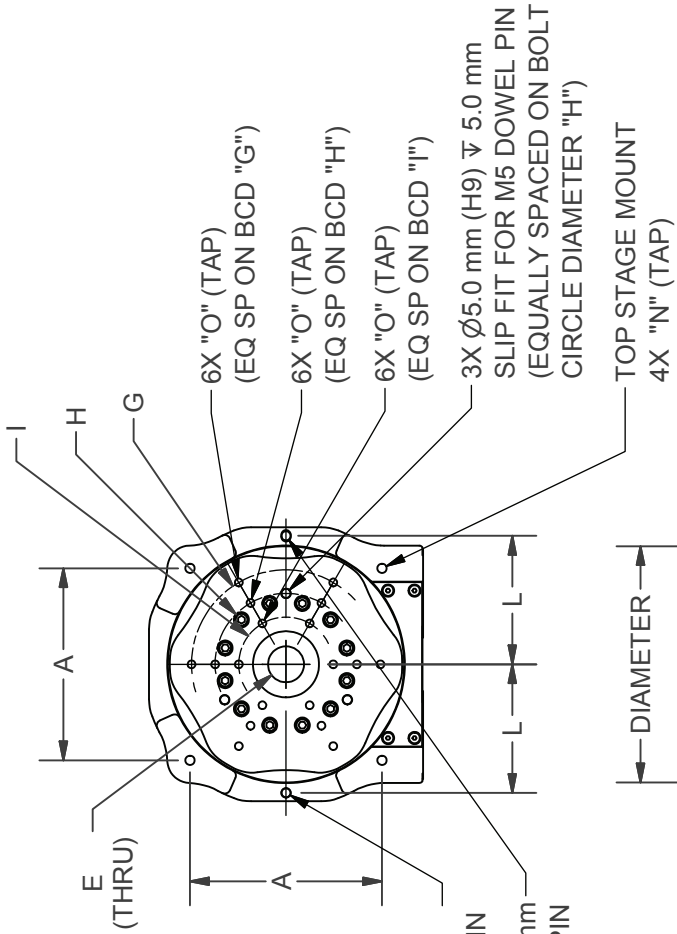


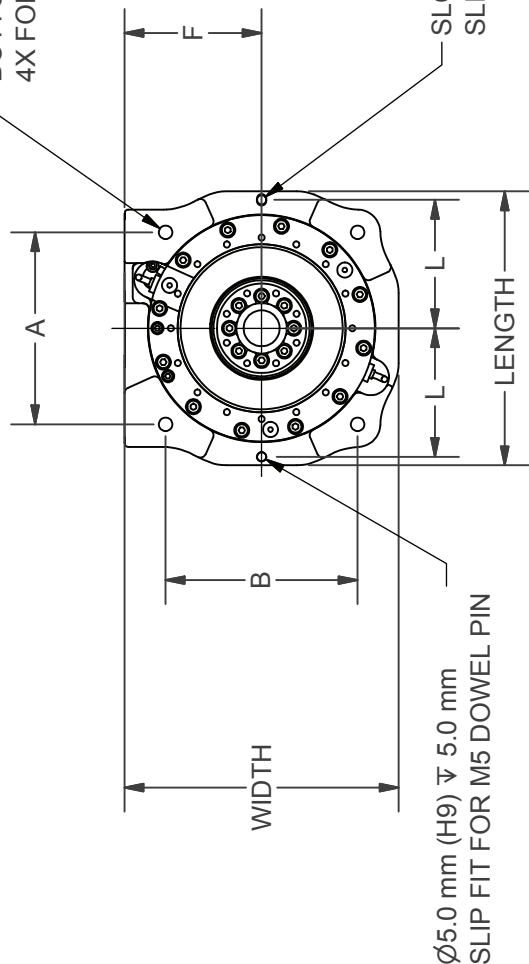
Ø5.0 mm (H9) ∇ 5.0 mm
SLIP FIT FOR M5 DOWEL PIN

SLOT Ø5.0 mm (H9) ∇ 5.0 mm
SLIP FIT FOR M5 DOWEL PIN



CABLE EXIT

BOTTOM STAGE MOUNT
4X FOR "M" THRU



Ø5.0 mm (H9) ∇ 5.0 mm
SLIP FIT FOR M5 DOWEL PIN

STANDARD FEATURES

Stage	Rotary Stage
Travel	360 Degrees Continuous
Motor	Frameless Direct Drive Motor
Feedback	Non-Contact Optical Encoder
Scale	20um Pitch Stainless Steel Ring
Resolution	1Vp-p Analog Output (see specifications) Digital Output Options: (see specifications)
Runout	Axial: < 0.5 um Available (see specifications) Radial: < 0.5 um Available (see specifications)
Sensors	Integrated Home Mark
Bearings	Air Bearing
Cables	High Flex, 10M Cycle, 3m Length
Structure	Anodized Aluminum 6061-T6 Optional: Stainless Steel
Environment	Standard Optional: Clean Room
Temperature	0°C to 50°C
Humidity	10% to 80% Non-Condensing
Precision	6-D Nano Precision™ Test Methods

DIAMETER	LENGTH	WIDTH	HEIGHT	A (inch)	B (inch)	C (inch)	D	E	F	G	H	I	J	K	L	M	N	O
125	145	145	150	4	4	3	145	19	72.5	100	75	50	77	40	68	M6 or 1/4-20	M6	M5

* All units millimeters unless otherwise noted.
* All hole patterns centered on thru hole at center of stage diameter.
* Additional sizes available upon special request.

ALIO INDUSTRIES PROPRIETARY INFORMATION
(Tel) 303.339.7500 - SALES@ALIOINDUSTRIES.COM - WWW.ALIOINDUSTRIES.COM



DRAWN	5/12/2012	TITLE	
NBROWN		AI-TM-(DIAMETER)R-AB	
CHECKED		SIZE	B
Tolerances: Surface Roughness: x.x ± .05 in [1.3 mm] x.xx ± .01 in [0.25 mm] x.xxx ± .005 in [0.13 mm] Angles ± 0.5°		DWG NO	0010-08012
MATERIAL		REV	001
FINISH	SEE NOTES	SCALE	ALIO STD TEMPLATE - REV 006
		SHEET	1 OF 1

NOTE: MODEL AI-TM-125R-AB SHOWN

SEE NOTES