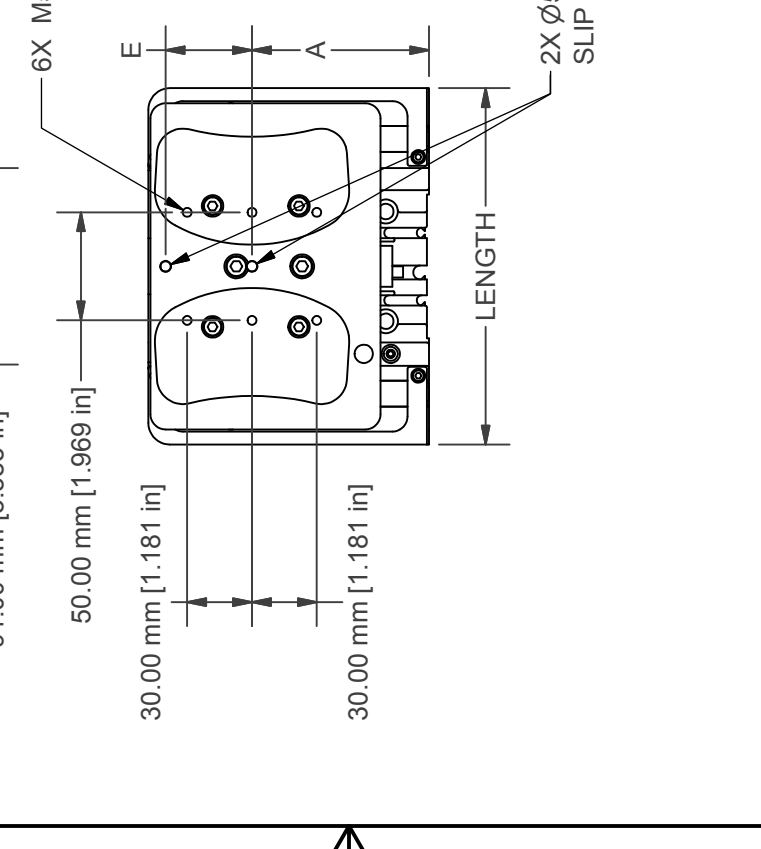
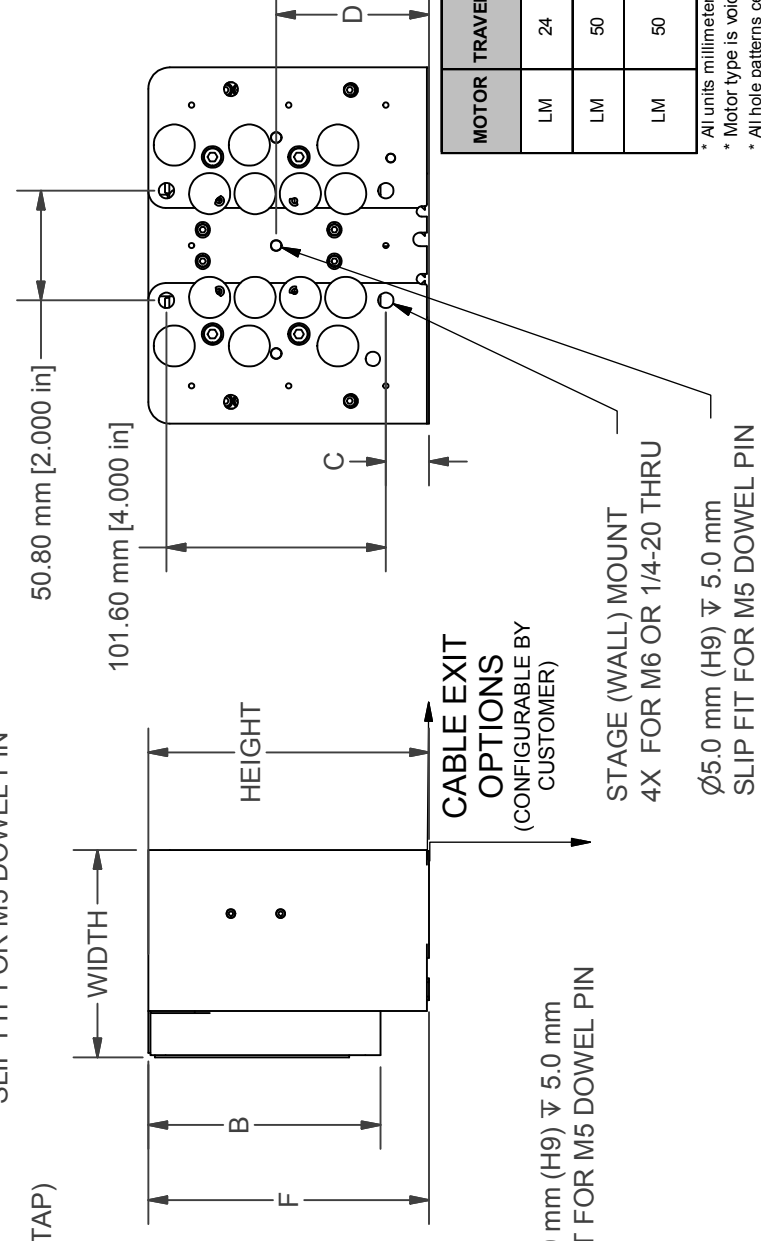
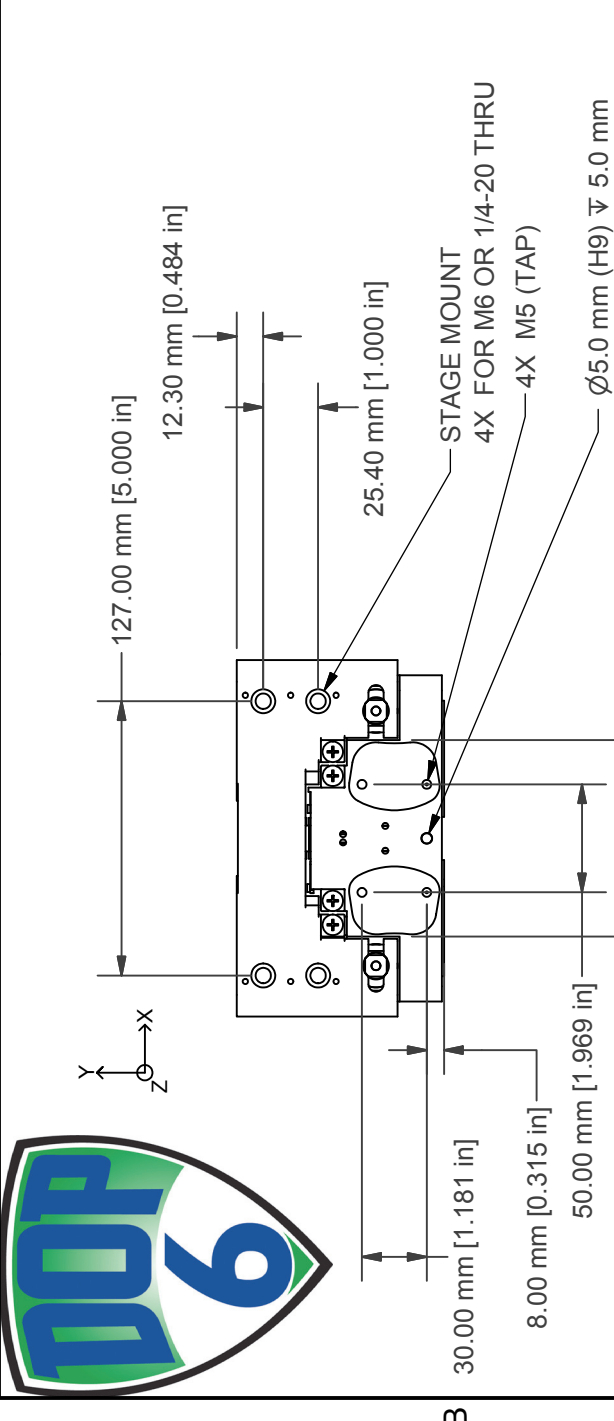


STANDARD FEATURES	
<b>Stage</b>	Z Stage
<b>Travel</b>	24 mm
<b>Motor</b>	Voice Coil or Ironless Core Linear Motor
<b>Feedback</b>	Non-Contact Optical Encoder
<b>Scale</b>	Gold Tape Scale
<b>Resolution</b>	Optional: Near Zero CTE ZeroMet
	1Vp-p Analog Output (5nm with 4096 Interpolation)
	Digital Output Options: 5um, 1um, 0.5um, 0.2um, 100nm, 50nm, 20nm**, 10nm**, and 5nm** (* ** Reduced Speeds Apply)
<b>Sensors</b>	Integrated Home and End of Travel Limits
<b>Bearings</b>	High Precision Crossed Roller Bearings
<b>Counterbalance</b>	Non-Contact Magnetic Spring (Constant Force)
<b>Payload</b>	0 to 2.0+ kg
<b>Cables</b>	High Flex, 10M Cycle, 3m Length
<b>Structure</b>	Anodized Aluminum 6061-T6 Optional: Stainless Steel
<b>Environment</b>	Standard Optional: Clean Room and Vacuum (10-6 Torr)
<b>Temperature</b>	0°C to 50°C
<b>Humidity</b>	10% to 80% Non-Condensing
<b>Precision</b>	6-D Nano Precision™ Test Methods



MOTOR TRAVEL	PAYLOAD OPTIONS (NEWTONS)	ORIENTATION	LENGTH	WIDTH	HEIGHT	A	B	C	D	E	F
LM	2N, 8N, 14N, 19N, or 24N	(blank) = Upright "INV" = Inverted	165	96	130	82	107.5	20	70.8	40	130
LM	2N, 8N, 14N, 19N, or 24N	(blank) = Upright "INV" = Inverted	165	96	156	95	107.5	46	96.8	40	143
LM	30N, 50N, 60N, 70N, 80N, or 90N	(blank) = Upright "INV" = Inverted	182	106	176	113.5	121	46	96.8	30	156.5

\* All units millimeters unless otherwise noted. Force units are Newtons.  
 \* Motor type is voice coil (VC) or linear brushless motor (LM) designator in model number.  
 \* All hole patterns centered on M5 dowel pin hole at center of stage (if not otherwise indicated).

ALIO INDUSTRIES PROPRIETARY INFORMATION  
 (Tel) 303.339.7500 - SALES@ALIOINDUSTRIES.COM - WWW.ALIOINDUSTRIES.COM



DRAWN	5/12/2012	TITLE	AI-(MOTOR)-(TRAVEL)00-(PAYLOAD)-Z-MCB-(ORIENTATION)
NBROWN		SIZE	B
CHECKED		DWG NO	0010-08039
Tolerances: Surface Roughness: x.x ± .05 in [1.3 mm] x.xx ± .01 in [0.25 mm] x.xxx ± .005 in [0.13 mm] Angles ± 0.5		REV	
MATERIAL		003	
FINISH	SEE NOTES	SCALE	ALIO STD TEMPLATE - REV 006
			1 OF 1

NOTE: MODEL AI-LM-2400-8N-Z-MCB SHOWN.

1

2

3

4

1

2

3

4