

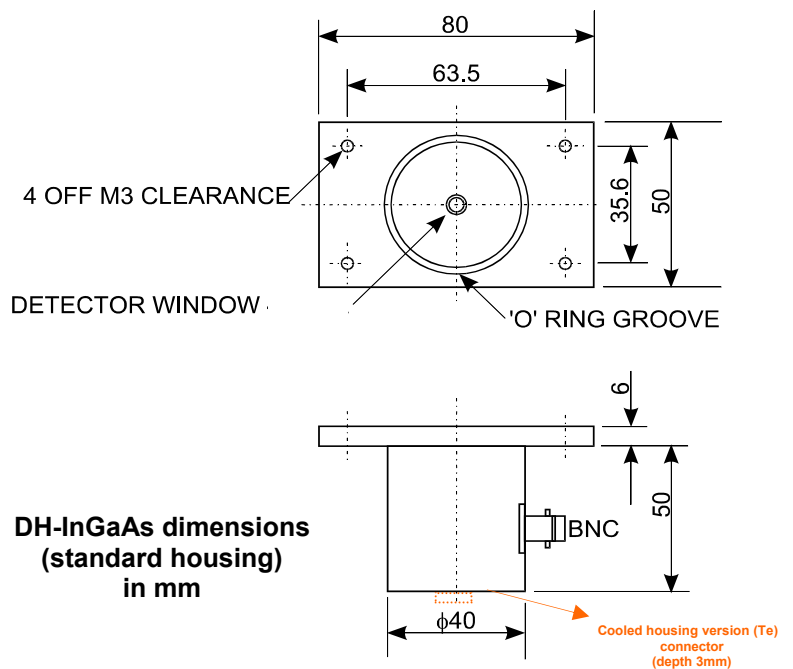
DH-InGaAs-x Indium Gallium Arsenide Detector Heads



The DH-InGaAs detectors are the first choice for most applications covering the 900 to 1700nm range. They can be used in both dc and ac (lock-in amplifier) modes of operation.

For systems requiring frequent change of detectors, a quick-change, type '-QC', housing is available.

Thermo-electrically cooled detectors are offered for use in hostile ambient temperature conditions and for extended wavelength range devices (to 1900nm).



Specifications

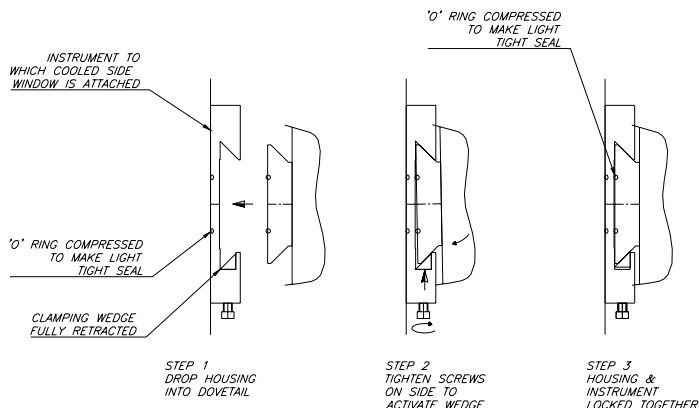
Detector Type	Active Area	Coating	Peak Sensitivity $\lambda p, \mu m$	Recommended Range μm	Peak Photo-Sensitivity A/W	Shunt Resistance M Ω	D* at λp cm.Hz ^{1/2} /W	Housing Options
DH-InGaAs(2)	2mm	None	1.55	0.9 - 1.7	0.95	25	5×10^{12}	Standard & QC
DH-InGaAs(3)	3mm	None	1.55	0.9 - 1.7	0.95	10	5×10^{12}	Standard & QC
DH-InGaAs(3)-Te	3mm	Te ⁽¹⁾	1.55	0.9 - 1.65	0.95	200	3×10^{13}	Te housing
DH-InGaAs(5)-Te	5mm	Te ⁽¹⁾	1.55	0.9 - 1.65	0.95	60	3×10^{13}	Te housing
DH-InGaAs-Ex-Te	1mm	Te ⁽¹⁾	1.75	0.9 - 1.85	1.1	10	2.5×10^{12}	Te housing

⁽¹⁾ Requires CPS1 or CPS1M cooler controller

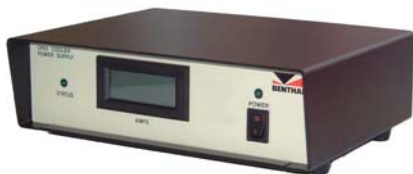
Ordering Information

DH-InGaAs(2)	2mm uncooled device in standard DH housing
DH-InGaAs(3)	3mm uncooled device in standard DH housing
DH-InGaAs(2)-QC	2mm uncooled device in Quick-Change housing
DH-InGaAs(3)-QC	3mm uncooled device in Quick-Change housing
DH-InGaAs(3)-Te	3mm cooled device in DH-Te housing
DH-InGaAs(5)-Te	5mm cooled device in DH-Te housing
DH-InGaAs-Ex-Te	1mm extended wavelength range (1.9 μ m) in DH-Te housing
CPS1	Free-standing cooler controller for DH-x-Te detectors
CPS1M	Modular cooler controller for use in 217-bin

Quick-Change housing



CPS1 controller



**Special detector assemblies are available for fibre optic applications.
Further information supplied on request.**

